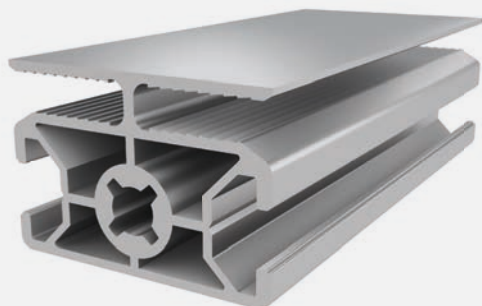




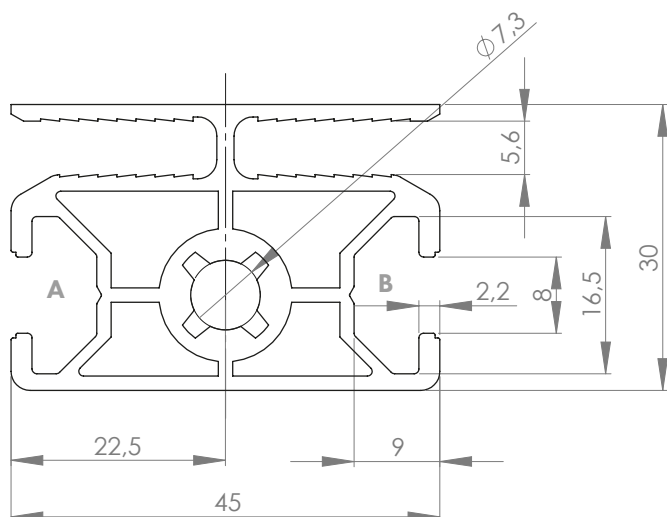
PROTECTIVE GRILLE PROFILE 30x45 WG 30 SLOT 8

Material: anodised aluminium



Technical data:

Surface A [cm ²]	4.51
Moment of inertia I _x [cm ⁴]	7.21
Moment of inertia I _y [cm ⁴]	4.29
Section modulus W _x [cm ³]	3.21
Section modulus W _y [cm ³]	2.74
Weight m [kg/m]	1.22



Standard processing:	Art. no.:
M8 / -	103200
M8 / M8	103205
D7.8 / -	102100
D7.8 / D7.8	102105

Explanations and further processing options can be found on p. 223-231

Dimensions (version)	Length (mm)	Slot	Weight (kg)	Art. no.:
Protective grille profile 30x45 WG 30 slot 8	Cut to length	8	1.22 kg/m	20100800
Protective grille profile 30x45 WG 30 slot 8	6060	8	1.22 kg/m	20100801

If this profile is cut to length, the cutting costs incurred per saw cut must be factored in. (Art. no.: 101010)

COVER CAP

Material: PA plastic

Dimensions (version)	Slot	Weight (g)	Version	Art. no.:
-	-	-	-	-