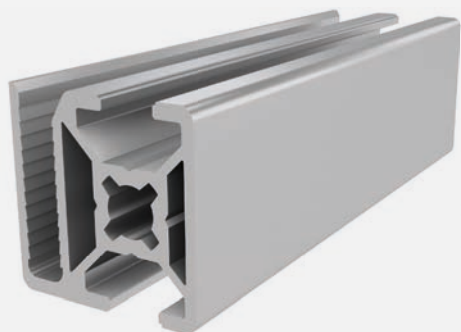




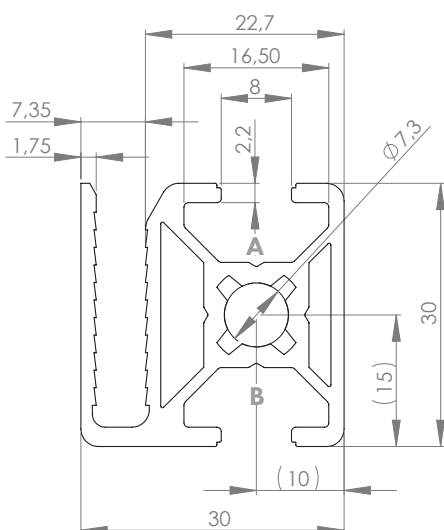
PROTECTIVE GRILLE PROFILE 30x30 WG 30 SLOT 8

Material: anodised aluminium



Technical data:

Surface A [cm ²]	3.23
Moment of inertia I _x [cm ⁴]	2.60
Moment of inertia I _y [cm ⁴]	3.04
Section modulus W _x [cm ³]	1.65
Section modulus W _y [cm ³]	1.96
Weight m [kg/m]	0.87



Standard processing:	Art. no.:
M8 / -	103200
M8 / M8	103205
D7.8 / -	102100
D7.8 / D7.8	102105

Explanations and further processing options can be found on p. 223-231

Dimensions (version)	Length (mm)	Slot	Weight (kg)	Art. no.:
Protective grille profile 30x30 WG 30 slot 8	Cut to length	8	0.87 kg/m	20100700
Protective grille profile 30x30 WG 30 slot 8	6060	8	0.87 kg/m	20100701

If this profile is cut to length, the cutting costs incurred per saw cut must be factored in. (Art. no.: 101010)

COVER CAP 30x30 WG40, 30x30 WG40 WITH HOLE

Material: PA plastic



Dimensions (version)	Slot	Weight (g)	Version	Art. no.:
30x30 WG 30/40	8	0.3	Black	401008
30x30 WG 30/40	8	0.3	With hole (Ø9), black	401007