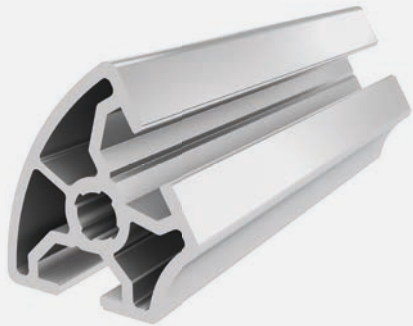




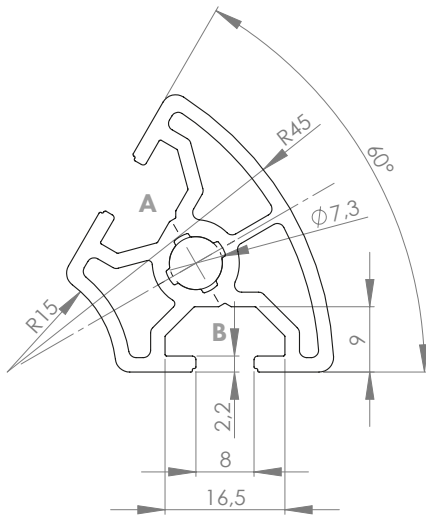
PROFILE 30x30 R15/R45 - 60° SLOT 8

Material: anodised aluminium



Technical data:

Surface A [cm ²]	3.73
Moment of inertia I _x [cm ⁴]	4.24
Moment of inertia I _y [cm ⁴]	3.12
Section modulus W _x [cm ³]	1.95
Section modulus W _y [cm ³]	1.77
Weight m [kg/m]	1.09



Standard processing:	Art. no.:
M8 / -	103200
M8 / M8	103205

Explanations and further processing options can be found on p. 223-231

Dimensions (version)	Length (mm)	Slot	Weight (kg)	Art. no.:
30x30 R15/R45 - 60°	Cut to length	8	1.01 kg/m	20101090
30x30 R15/R45 - 60°	6060	8	1.01 kg/m	20101091

If this profile is cut to length, the cutting costs incurred per saw cut must be factored in. (Art. no.: 101010)

COVER CAP

Material: PA plastic

Dimensions (version)	Slot	Weight (g)	Version	Art. no.:
-	-	-	-	-