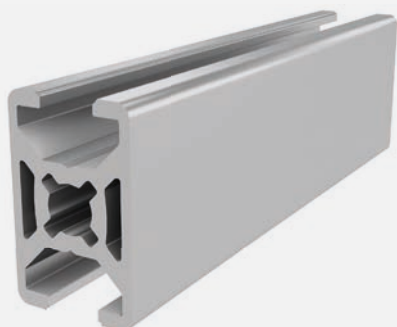




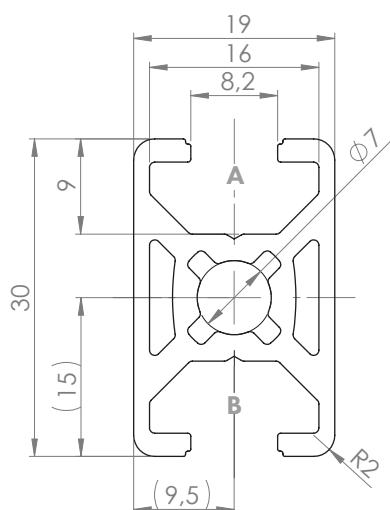
PROFILE 19x30 SLOT 8

Material: anodised aluminium



Technical data:

Surface A [cm ²]	2.40
Moment of inertia I _x [cm ⁴]	1.56
Moment of inertia I _y [cm ⁴]	1.10
Section modulus W _x [cm ³]	1.04
Section modulus W _y [cm ³]	1.15
Weight m [kg/m]	0.62



Standard processing:	Art. no.:
M8 / -	103200
M8 / M8	103205
D7.8 / -	102100
D7.8 / D7.8	102102

Explanations and further processing options can be found on p. 223-231

Dimensions (version)	Length (mm)	Slot	Weight (kg)	Art. no.:
19x30	Cut to length	8	0.62 kg/m	20112500
19x30	6060	8	0.62 kg/m	20112501

If this profile is cut to length, the cutting costs incurred per saw cut must be factored in. (Art. no.: 101010)

COVER CAP 19x30 SLOT 8

Material: PA plastic



Dimensions (version)	Slot	Weight (g)	Version	Art. no.:
19x30	8	4	Black	401005