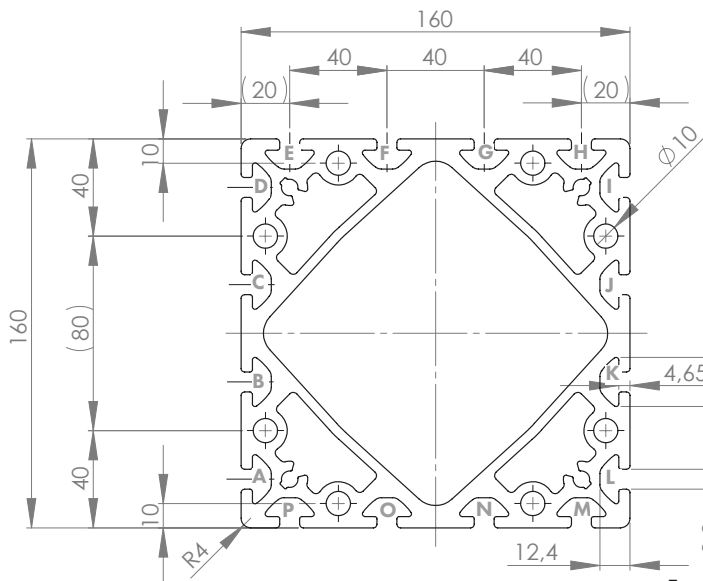


PROFILE 8 160x160

Material: anodised aluminium

Technical data:

Surface A [cm ²]	73.75
Moment of inertia I _x [cm ⁴]	2347.67
Moment of inertia I _y [cm ⁴]	2347.67
Section modulus W _x [cm ³]	293.46
Section modulus W _y [cm ³]	293.46
Weight m [kg/m]	19.91



Standard processing:	Art. no.:
-	-
-	-
-	-
-	-
-	-
-	-
-	-
-	-
-	-

Explanations and further processing options can be found on p. 223-231

Dimensions (version)	Length (mm)	Slot	Weight (kg)	Art. no.:
160x160	Cut to length	8	19.91 kg/m	20210700
160x160	6060	8	19.91 kg/m	20210701

If this profile is cut to length, the cutting costs incurred per saw cut must be factored in. (Art. no.: 101040)

COVER CAP

Material: PA plastic

Dimensions (version)	Slot	Weight (g)	Version	Art. no.:
-	-	-	-	-
-	-	-	-	-