



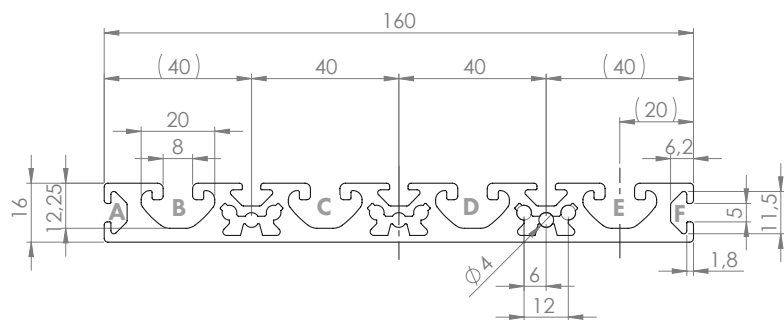
## PROFILE 8 160x16

Material: anodised aluminium



### Technical data:

Surface A [cm <sup>2</sup> ]	13.88
Moment of inertia I <sub>x</sub> [cm <sup>4</sup> ]	3.80
Moment of inertia I <sub>y</sub> [cm <sup>4</sup> ]	307.83
Section modulus W <sub>x</sub> [cm <sup>3</sup> ]	4.25
Section modulus W <sub>y</sub> [cm <sup>3</sup> ]	38.48
Weight m [kg/m]	3.75



Standard processing:	Art. no.:
-	-

Explanations and further processing options can be found on p. 223-231

Dimensions (version)	Length (mm)	Slot	Weight (kg)	Art. no.:
160x16	Cut to length	8	3.75 kg/m	20208900
160x16	6060	8	3.75 kg/m	20208901

If this profile is cut to length, the cutting costs incurred per saw cut must be factored in. (Art. no.: 101040)

## COVER CAP 8 160x16

Material: PA plastic



Dimensions (version)	Slot	Weight (g)	Version	Art. no.:
160x16	8	10	Black	421018