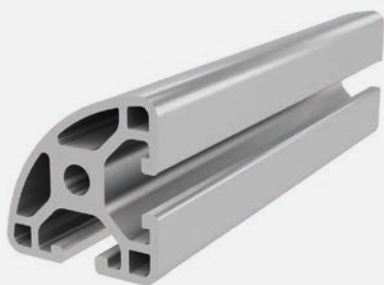




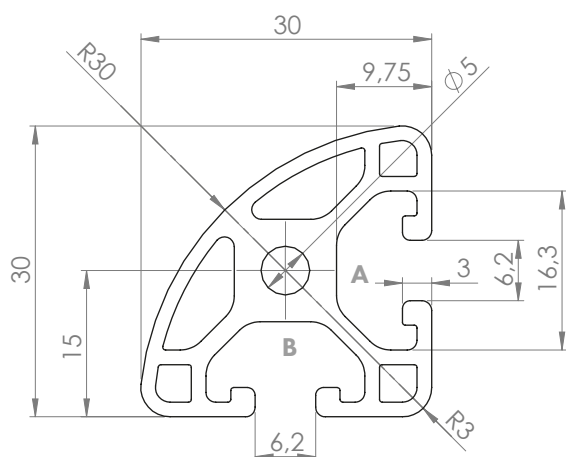
## PROFILE 6 30x30L R30-90° (light)

Material: anodised aluminium



### Technical data:

Surface A [cm <sup>2</sup> ]	3.05
Moment of inertia I <sub>x</sub> [cm <sup>4</sup> ]	2.18
Moment of inertia I <sub>y</sub> [cm <sup>4</sup> ]	2.18
Section modulus W <sub>x</sub> [cm <sup>3</sup> ]	1.30
Section modulus W <sub>y</sub> [cm <sup>3</sup> ]	1.30
Weight m [kg/m]	0.84



Standard processing:	Art. no.:
M6 / -	103150
M6 / M6	103151
D16(Uni) / -	1020411
D16(Uni) / D16(Uni)	1020405
D16(Uni) / D16V(Uni)	1020410

Explanations and further processing options can be found on p. 223-231

Dimensions (version)	Length (mm)	Slot	Weight (kg)	Art. no.:
30x30L R30-90°	Cut to length	6	0.84 kg/m	20204300
30x30L R30-90°	3060	6	0.84 kg/m	20204303
30x30L R30-90°	6060	6	0.84 kg/m	20204301

If this profile is cut to length, the cutting costs incurred per saw cut must be factored in. (Art. no.: 101010)

## COVER CAP 6 R30-90

Material: PA plastic



Dimensions (version)	Slot	Weight (g)	Version	Art. no.:
Profile 30-90°	6	26	Black	421031