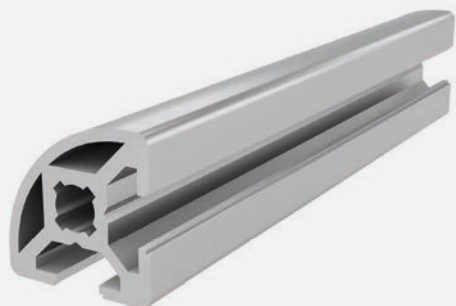




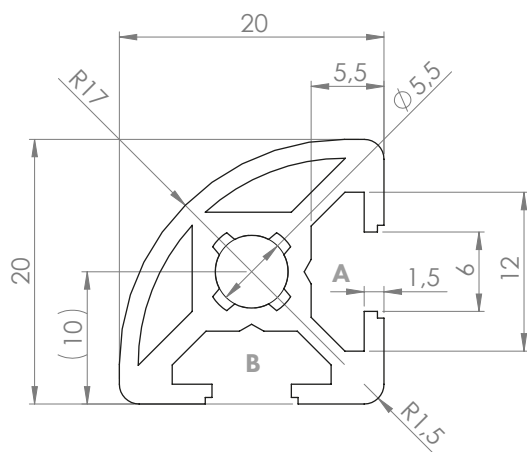
PROFILE 20x20 SLOT 6 R90

Material: anodised aluminium



Technical data:

Surface A [cm ²]	1.60
Moment of inertia I _x [cm ⁴]	0.60
Moment of inertia I _y [cm ⁴]	0.60
Section modulus W _x [cm ³]	0.50
Section modulus W _y [cm ³]	0.50
Weight m [kg/m]	0.40



Standard processing:	Art. no.:
M6 / -	103150
M6 / M6	103151

Explanations and further processing options can be found on p. 223-231

Dimensions (version)	Length (mm)	Slot	Weight (kg)	Art. no.:
20x20 R90	Cut to length	6	0.4 kg/m	20100400
20x20 R90	3060	6	0.4 kg/m	20100403
20x20 R90	6060	6	0.4 kg/m	20100401

If this profile is cut to length, the cutting costs incurred per saw cut must be factored in. (Art. no.: 101010)

COVER CAP

Material: PA plastic

Dimensions (version)	Slot	Weight (g)	Version	Art. no.:
-	-	-	-	-