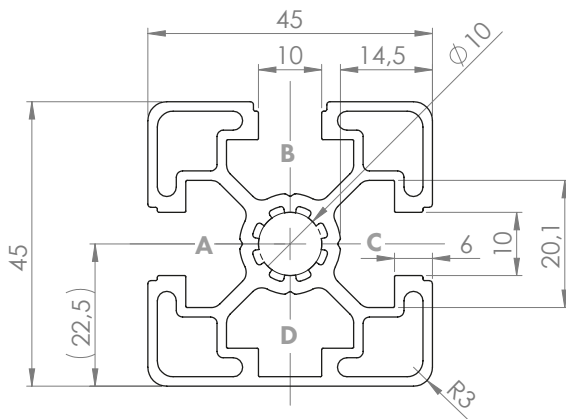


PROFILE 45x45L 3N SLOT 10 (light)

Material: anodised aluminium

Technical data:

Surface A [cm ²]	6.20
Moment of inertia I _x [cm ⁴]	12.60
Moment of inertia I _y [cm ⁴]	11.70
Section modulus W _x [cm ³]	5.40
Section modulus W _y [cm ³]	5.20
Weight m [kg/m]	1.70



Standard processing:	Art. no.:
M12 / -	103300
M12 / M12	103305
D17 / -	102500
D17 / D17	102505
D17(SSV) / -	102380
D17(SSV) / D17(SSV)	102382
D17(SSV) / D17V(SSV)	102384
D9.8 / -	102300
D9.8 / D9.8	102305
D9.8+ / -	102315
D9.8+ / D9.8+	102325

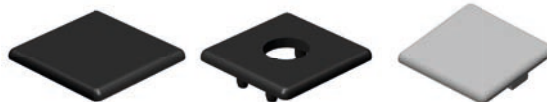
Explanations and further processing options can be found on p. 223-231

Dimensions (version)	Length (mm)	Slot	Weight (kg)	Art. no.:
45x45L 3N	Cut to length	10	1.7 kg/m	20102030
45x45L 3N	6060	10	1.7 kg/m	20102031

If this profile is cut to length, the cutting costs incurred per saw cut must be factored in. (Art. no.: 101020)

COVER CAP 45x45 SLOT 10

Material: PA plastic



Dimensions (version)	Slot	Weight (g)	Version	Art. no.:
45x45	10	6	Black	401020
45x45	10	9	Black with hole (Ø17.5)	401030
45x45	10	6	Signal grey	401120