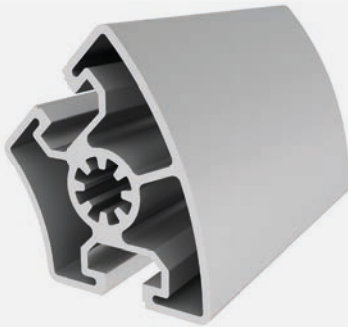




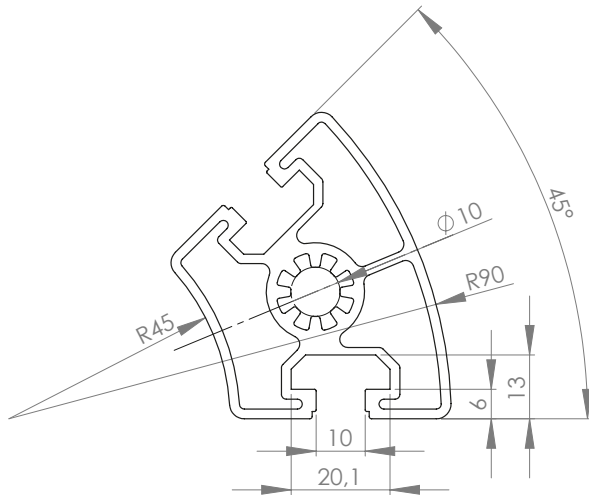
## PROFILE 45 R45/R90 - 45° SLOT 10

Material: anodised aluminium



### Technical data:

Surface A [cm <sup>2</sup> ]	7.41
Moment of inertia I <sub>x</sub> [cm <sup>4</sup> ]	21.09
Moment of inertia I <sub>y</sub> [cm <sup>4</sup> ]	13.32
Section modulus W <sub>x</sub> [cm <sup>3</sup> ]	6.30
Section modulus W <sub>y</sub> [cm <sup>3</sup> ]	5.19
Weight m [kg/m]	2.00



Standard processing:	Art. no.:
M12 / -	103300
M12 / M12	103305

Explanations and further processing options can be found on p. 223-231

Dimensions (version)	Length (mm)	Slot	Weight (kg)	Art. no.:
45x45 R45/R90 - 45°	Cut to length	10	2.0 kg/m	20102580
45x45 R45/R90 - 45°	6060	10	2.0 kg/m	20102581

If this profile is cut to length, the cutting costs incurred per saw cut must be factored in. (Art. no.: 101020)

## COVER CAP

Material: PA plastic

Dimensions (version)	Slot	Weight (g)	Version	Art. no.:
-	-	-	-	-