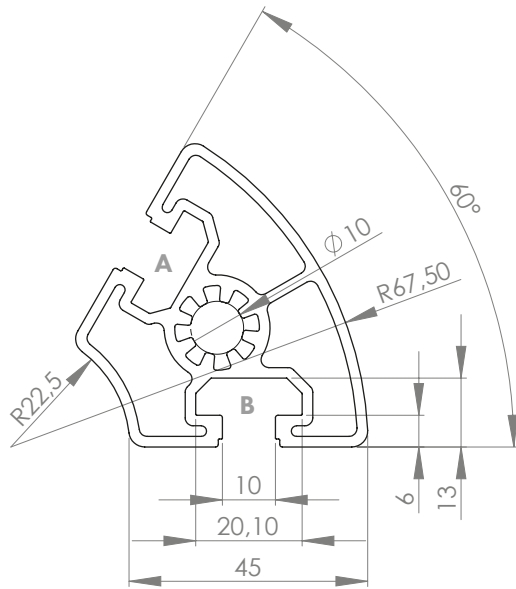


## PROFILE 45 R22.5/R67.5 - 60° SLOT 10

Material: anodised aluminium

### Technical data:

Surface A [cm <sup>2</sup> ]	6.80
Moment of inertia I <sub>x</sub> [cm <sup>4</sup> ]	11.40
Moment of inertia I <sub>y</sub> [cm <sup>4</sup> ]	16.90
Section modulus W <sub>x</sub> [cm <sup>3</sup> ]	4.40
Section modulus W <sub>y</sub> [cm <sup>3</sup> ]	5.20
Weight m [kg/m]	1.80



Standard processing:	Art. no.:
M12 / -	103300
M12 / M12	103305

Explanations and further processing options can be found on p. 223-231

Dimensions (version)	Length (mm)	Slot	Weight (kg)	Art. no.:
45x45 R22.5/R67.5 - 45°	Cut to length	10	1.8 kg/m	20102590
45x45 R22.5/R67.5 - 45°	6060	10	1.8 kg/m	20102591

If this profile is cut to length, the cutting costs incurred per saw cut must be factored in. (Art. no.: 101020)

## COVER CAP

Material: PA plastic

Dimensions (version)	Slot	Weight (g)	Version	Art. no.:
-	-	-	-	-