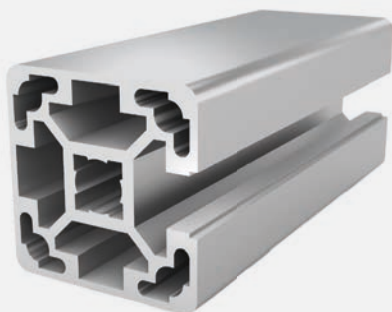




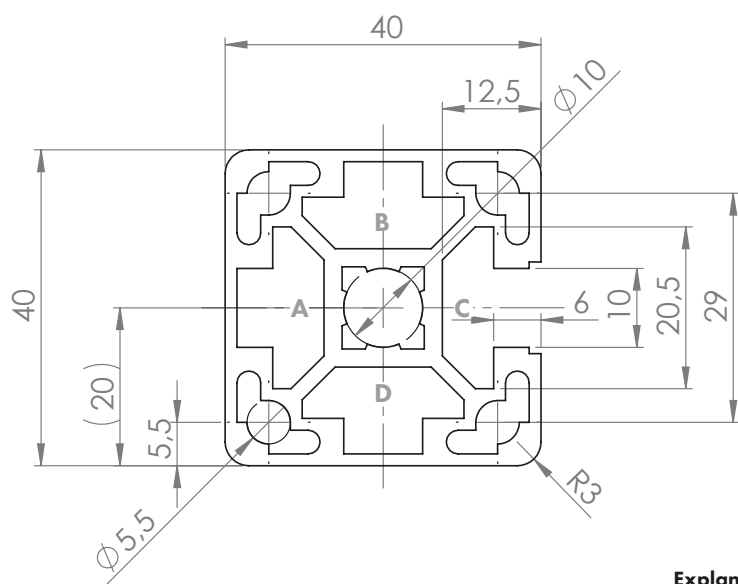
PROFILE 40x40L 1N SLOT 10 (light)

Material: anodised aluminium



Technical data:

Surface A [cm ²]	5.80
Moment of inertia I _x [cm ⁴]	9.70
Moment of inertia I _y [cm ⁴]	9.00
Section modulus W _x [cm ³]	4.80
Section modulus W _y [cm ³]	4.50
Weight m [kg/m]	1.60



Standard processing:	Art. no.:
M12 / -	103300
M12 / M12	103305
D9.8 / -	102300
D9.8 / D9.8	102305
D9.8+ / -	102315
D9.8+ / D9.8+	102325
D17(SSV) / -	102380
D17(SSV) / D17(SSV)	102382

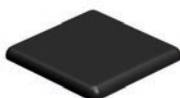
Explanations and further processing options can be found on p. 223-231

Dimensions (version)	Length (mm)	Slot	Weight (kg)	Art. no.:
40x40L 1N	Cut to length	10	1.6 kg/m	20101710
40x40L 1N	6060	10	1.6 kg/m	20101711

If this profile is cut to length, the cutting costs incurred per saw cut must be factored in. (Art. no.: 101020)

COVER CAP 40x40 SLOT 10

Material: PA plastic



Dimensions (version)	Slot	Weight (g)	Version	Art. no.:
40x40	10	6	Black	401015