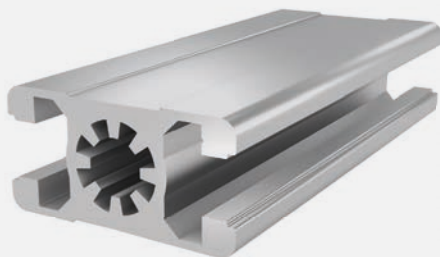




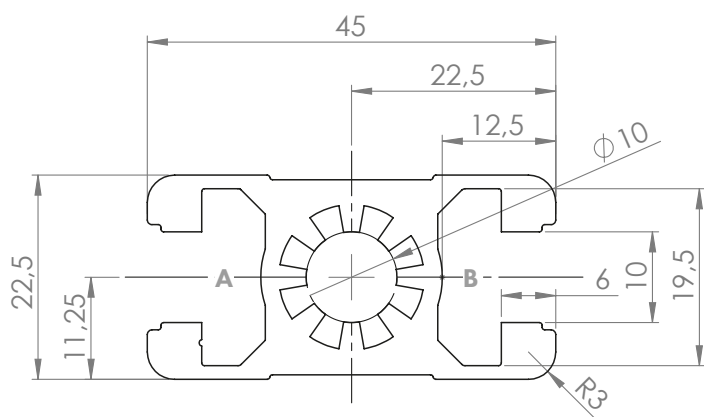
## PROFILE 22.5x45 SLOT 10

Material: anodised aluminium



### Technical data:

Surface A [cm <sup>2</sup> ]	4.60
Moment of inertia I <sub>x</sub> [cm <sup>4</sup> ]	7.10
Moment of inertia I <sub>y</sub> [cm <sup>4</sup> ]	2.90
Section modulus W <sub>x</sub> [cm <sup>3</sup> ]	3.60
Section modulus W <sub>y</sub> [cm <sup>3</sup> ]	2.60
Weight m [kg/m]	1.30



Standard processing:	Art. no.:
-	-

Explanations and further processing options can be found on p. 223-231

Dimensions (version)	Length (mm)	Slot	Weight (kg)	Art. no.:
22.5x45	Cut to length	10	0.3 kg/m	20103100
22.5x45	6060	10	0.3 kg/m	20103101

If this profile is cut to length, the cutting costs incurred per saw cut must be factored in. (Art. no.: 101020)

## COVER CAP

Material: PA plastic

Dimensions (version)	Slot	Version	Weight (g)	Art. no.:
-	-	-	-	-